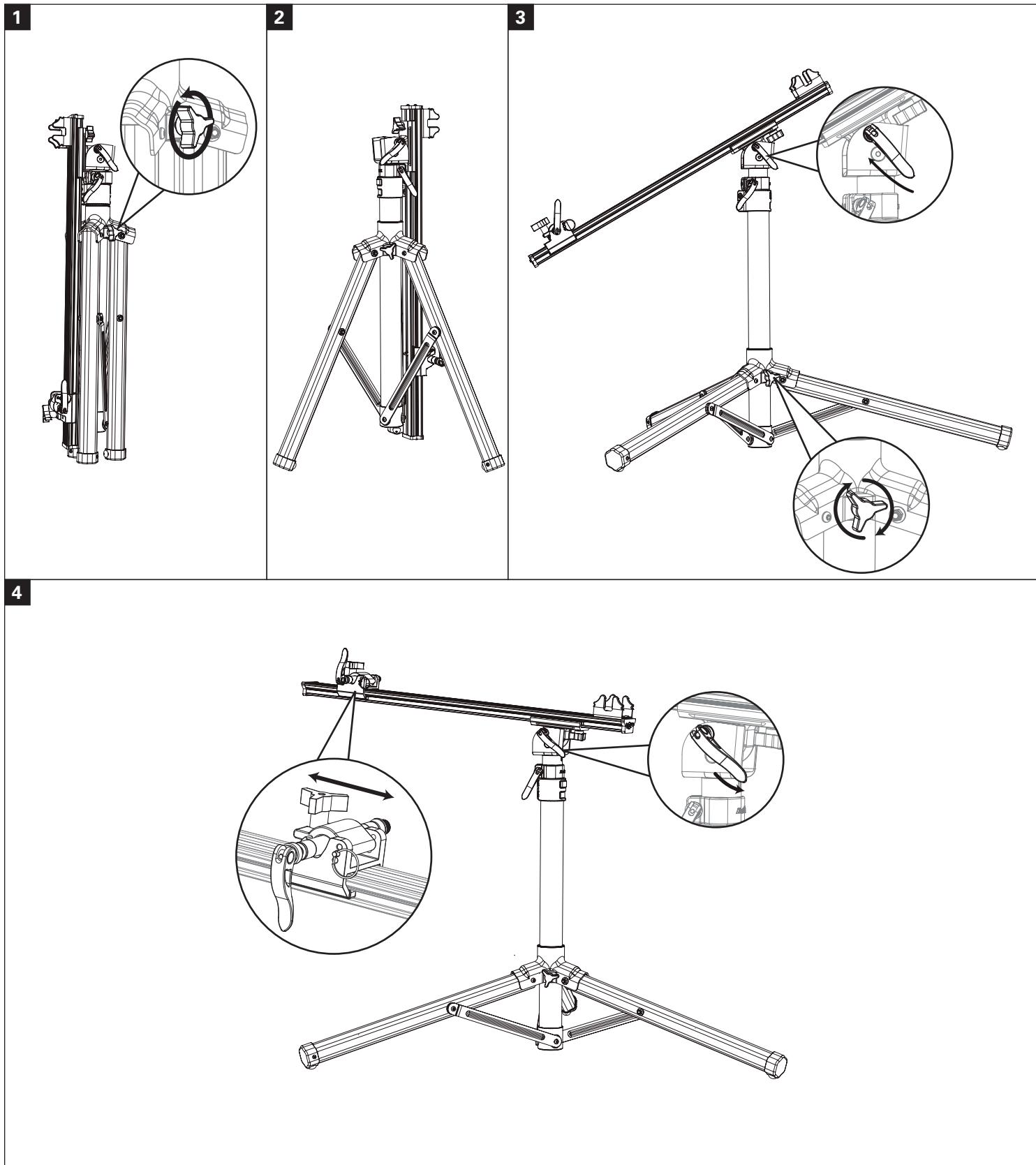
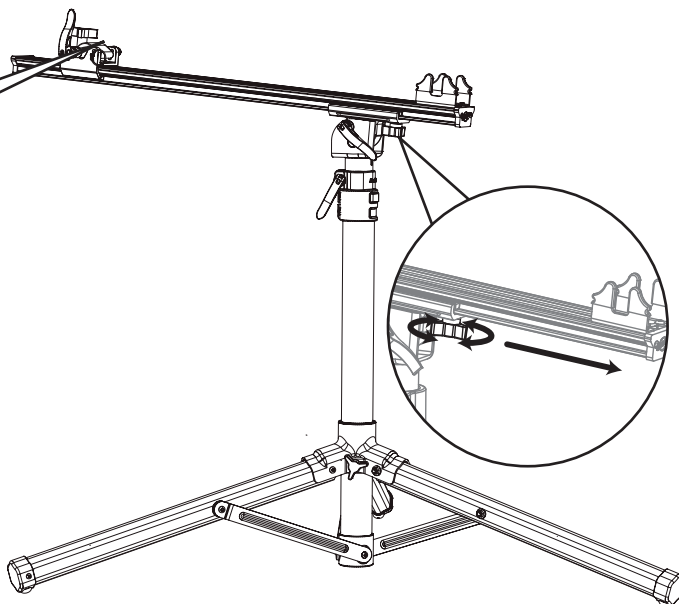
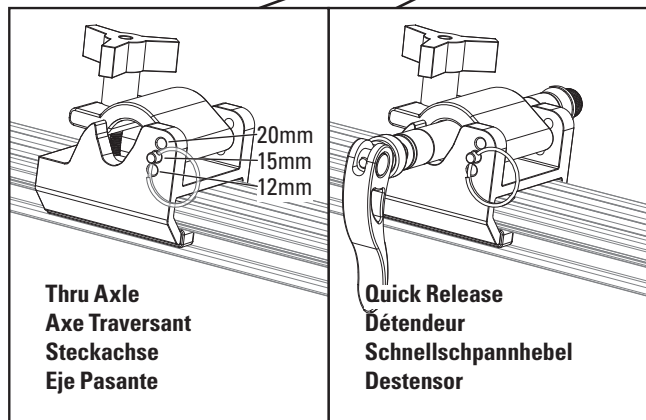
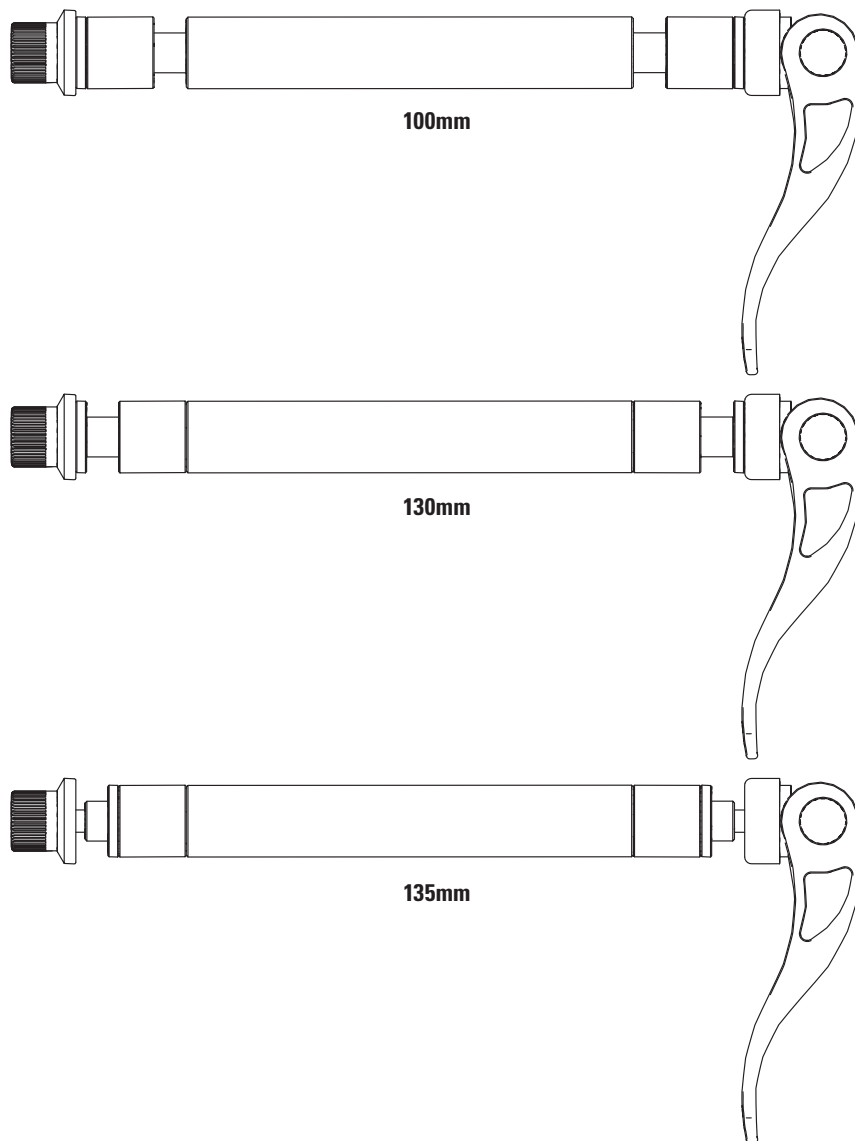


PRS-22.2 Team Issue Repair Stand
PRS-22.2 Pied de Réparation Team Issue
PRS-22.2 Pro Tour Team Montageständer
PRS-22.2 Soporte de Reparación Portátil

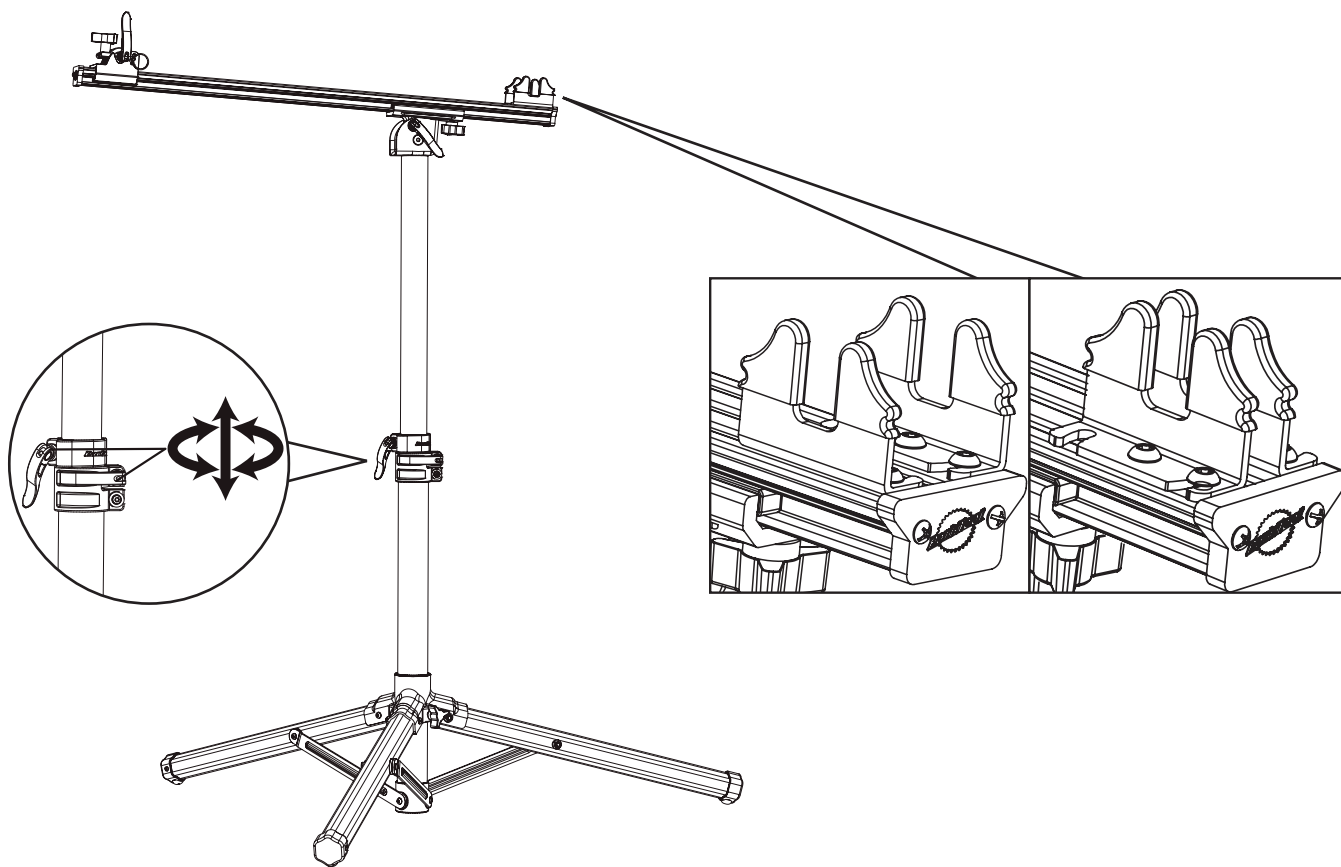




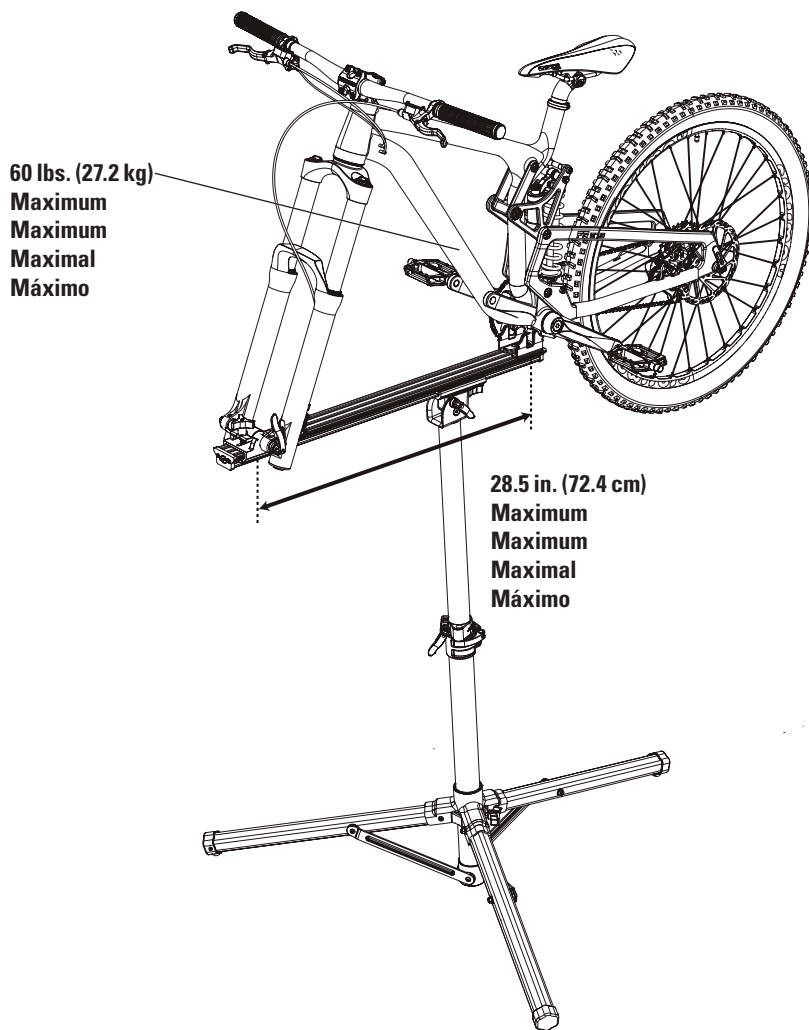
Open Dropouts/Pattes Ouvertes/Offenen Ausfallenden/Punteras Abiertas

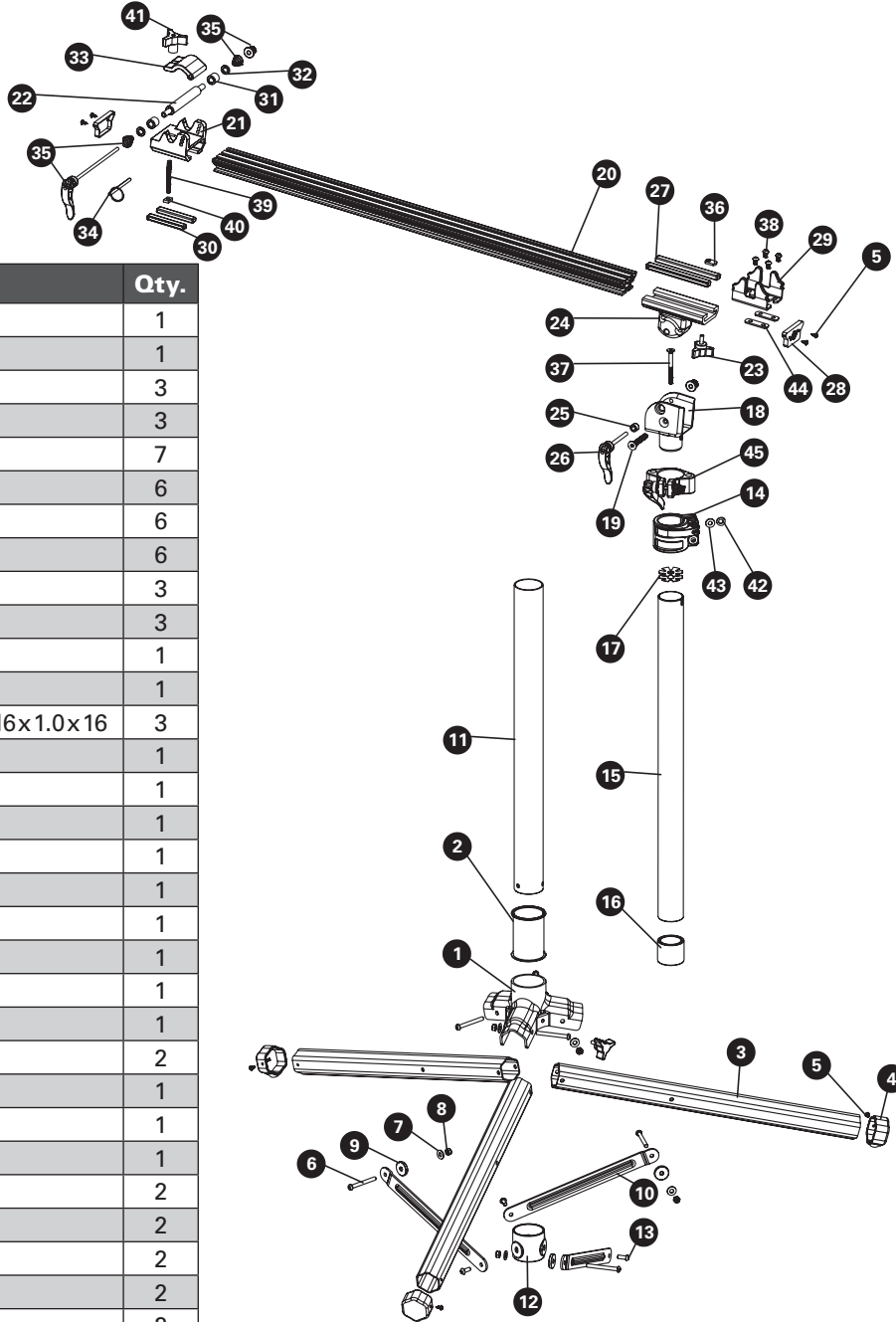


6



7





PRS-22.2 PART NUMBERS

Ref. #	Part #	Description	Qty.
1	2705	Yoke	1
2	2701	Yoke Sleeve	1
3	2700-3	Leg Tube	3
4	1920L	Leg Cap	3
5	1921-2	Screw	7
6	1923-4	Screw	6
7	1926-4	Washer	6
8	1883-4	Hex Locknut M6x1.0	6
9	1924-3	Leg Spacer	3
10	2702-3	Leg Strap	3
11	2710	Upright	1
12	2703	Upright End Cap	1
13	1928-2	Button Head Socket Cap Screw M6x1.0x16	3
14	2707.2	Upright Collar	1
15	2708	Upright Extension	1
16	2704	Extension Bearing	1
17	2706	Tube Connecting Nut	1
18	2709	Pivot Bracket	1
19	2718	Flat Head Socket Cap Screw	1
20	2716	Beam Extrusion	1
21	2711	Carriage	1
22	2714	Carriage Axle	1
23	220K	Knob	2
24	2725	Beam Pivot Bracket	1
25	2726	Pivot Stop	1
26	1873	Quick Release Assembly	1
27	2712-2	Beam Bearing	2
28	2715-2	Beam End Cap	2
29	2713-2	Bottom Bracket Support	2
30	2717-2	Carriage Bearing	2
31	2722-2	Axle Spacer	2
32	2723-2	Thin Axle Spacer	2
33	2721	Axle Clamp	1
34	2720	Quick Release Pin	1
35	1722A	Rear Quick Release	1
36	2108-8	Offset T-Nut	1
37	2730	Flat Head Socket Cap Screw 1/4-20x2.5	1
38	2735-4	Button Head Socket Cap Screw M6x10	4
39	2733	Clamp Threaded Stud	1
40	2734	Carriage T-Nut	1
41	2729	Carriage Knob	1
42	2736	Wave Washer	1
43	1556-4	Washer	1
44	2719-2	Double T-Nut	2
45	2737	Collar Assembly	1