

BKM-1 Hydraulic Brake Bleed Kit – Mineral

The BKM-1 Hydraulic Brake Bleed Kit—Mineral will bleed most models of mineral oil based bicycle brakes. The BKM-1 includes the syringes, hoses (including shut off clips), bleed blocks, bleed funnel, frame attachable syringe mount, and adaptors needed to service Shimano®, Magura®, Clarks™, Promax®, Tektro®, TRP®, Formula™, and other brands. Includes a case to keep everything organized. The BKM-1 Hydraulic Brake Bleed Kit does not include brake fluid.

Safety Warning:

Wear safety glasses and gloves while bleeding brakes and avoid all fluid contact with eyes and skin.

FOLLOW BRAKE FLUID MANUFACTURER'S SPECIFIC RECOMMENDATIONS REGARDING CONTACT, INGESTION, CLEANUP AND DISPOSAL INSTRUCTIONS.

Notes: Bleeding tools and syringes for mineral fluid brakes should never be used for DOT brake systems or with DOT brake fluid. The DOT fluid and Mineral oils should never be mixed in the brake system or in their respective service tools. Using incompatible fluid may cause seal failure which may result in brake failure. For brakes using DOT fluid use the Park Tool BKD-1 Hydraulic Brake Bleed Kit—DOT.

The specific service parts and adaptors for brake bleeding vary with each brand. Inspect the brake and the bleed port fittings to determine the correct adaptor from the BKM-1. Measure the bleed port fitting thread diameter to match with the correct BKM-1 adaptors. To match thread pitch, hold the two threads one on top of the other to see if threads properly mesh together. See parts description for details on the parts and adaptors and their common uses.

When storing the hose assemblies, leave the closing clips open. Remnant mineral oil will not harm syringes or seals. Clean syringes, hose and fittings with alcohol when necessary.

Although all hydraulic brake service shares the concept of injecting new fluid and bleeding out air and old fluid, there are many variations on the procedures to bleed particular makes and models. See the repair help area of www.parktool.com for detailed video instructions on bleeding brakes, or contact the brake manufacturer for their specific bleeding procedures.

For complete videos and instructions, visit www.parktool.com.

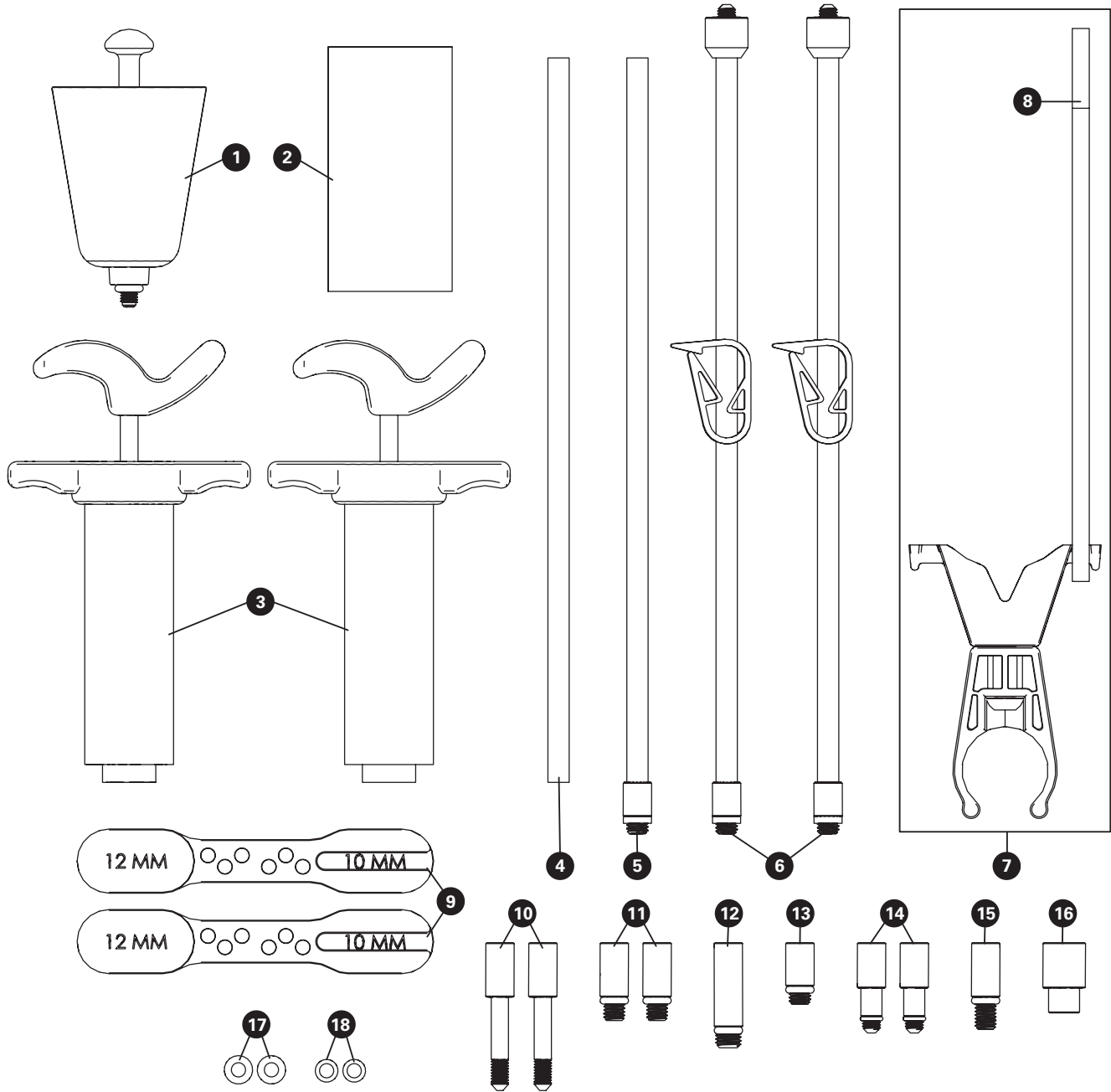
Vollständige Videos und Anweisungen finden Sie unter www.parktool.com.

Para ver videos completos e instrucciones, visite www.parktool.com.

Pour des vidéos et des instructions complètes, visitez www.parktool.com.

TABLE 1

Part #	Description	Notes
2592-2	Mineral Oil Syringe	Syringes with removable handles and plungers to allow cleaning. The syringe body uses internal M6x1.0mm thread to accept hose assemblies 2593A and 2594A.
2594A	Mineral Oil Hose Assembly	Hose assemblies with closing clip and adaptors. One end is M6x1.0mm thread to fit syringe. Opposite end is M5x0.8mm external thread to accept other adaptors.
2593A	Mineral Oil Hose Assembly—Open End	Hose assembly with closing clip and one M6x1.0mm thread to fit syringe. Opposite end open for calipers with bleed nipples.
2588	Hose Compression Sleeve	Slides over open hose to help secure the hose to caliper bleed nipple
2583A	Bleed Funnel	Bleed funnel including stopper for funnel hole. M5x0.8mm external thread used to bleed many Shimano® brake model.
2586A	Bleed Funnel Extension for Shimano® with O-Ring (Silver)	Extension adaptor for bleed funnel. External M7x0.75mm thread fits Shimano® road lever bleeding port. Internal thread fits bleed funnel.
2585-2	Adaptor for Hayes®—M5x0.8mm (Silver)	Adaptor for Hayes® and others
2587A	Adaptor for Magura® with O-Ring—M6x0.75mm (Blue)	Adaptor for Magura® levers, and bleed ports in other brands
2584AM	Universal Adaptor with O-Ring—M6x1.0mm (Black)	Adaptor for M6x1.0mm
2625A	Adaptor for Promax® with O-Ring—M6x1.0mm (Green)	Adaptor for Promax® and other brands
2623A	Adaptor for Formula™ Cura™ with O-Ring—M5x0.8mm (Purple)	Adaptor for Formula™ Cura™, Tektro®, Hayes® and others
2581-2	Universal Bleed Block	Double sided block with 10mm and 12mm. Two blocks include for double piston calipers.
2578A	Syringe Holder Assembly with Strap	Syringe holder secures syringe to fork or rear stay during bleed
2596-3	Extra Hose Section	Section of extra hose for system bleeding into disposal bag
2595	Fluid Disposal Bag	Fluid disposal bag for calipers that bleed directly to disposal system
2582-10	Mineral Oil Adaptor O-Ring	Extra O-ring for adaptors
2624-2	Mineral Oil Adaptor O-Ring	Extra O-ring for 2623A adaptors



BKM-1 PART NUMBERS

Ref. #	Part #	Description	Qty.
1	2583A	Bleed Funnel	1
2	2620	Fitting Box	1
3	2592-2	Mineral Oil Syringe	2
4	2596-3	Extra Hose Section	1
5	2593A	Mineral Oil Hose Assembly—Open End	1
6	2594A	Mineral Oil Hose Assembly	2
7	2578A	Syringe Holder Assembly with Strap	1
8	2577	Syringe Holder Strap	1
9	2581-2	Universal Bleed Block	2
10	2585-2	Adaptor for Hayes®—M5x0.8mm (Silver)	2
11	2584AM	Universal Adaptor with O-Ring—M6x1.0mm (Black)	2

Ref. #	Part #	Description	Qty.
12	2586A	Bleed Funnel Extension for Shimano® with O-Ring (Silver)	1
13	2587A	Adaptor for Magura® with O-Ring—M6x0.75mm (Blue)	1
14	2623A	Adaptor for Formula™ Cura™ with O-Ring—M5x0.8mm (Purple)	2
15	2625A	Adaptor for Promax® with O-Ring—M6x1.0mm (Green)	1
16	2588	Hose Compression Sleeve	1
17	2582-10	Mineral Oil Adaptor O-Ring	4
18	2624-2	Mineral Oil Adaptor O-Ring	2
—	2627K	Seal Rebuild Kit	—