

BKD-1.2 Hydraulic Brake Bleed Kit – DOT

The BKD-1.2 Hydraulic Brake Bleed Kit—DOT will bleed most models of DOT fluid bicycle brakes. The BKD-1.2 includes the syringes, hoses (including shut off clips), bleed blocks, frame attachable syringe mount, and adapters needed to service SRAM®, Hayes®, Hope™, Formula™, and other brands. Includes a tool case to keep everything organized. The BKD-1.2 Hydraulic Brake Bleed Kit does not include brake fluid.

Safety Warning:

Wear safety glasses and gloves while bleeding brakes and avoid all fluid contact with eyes and skin.

Follow brake fluid manufacturer’s specific recommendations regarding contact, ingestion, cleanup and disposal instructions.

Notes: Bleeding tools and syringes for mineral fluid brakes should never be used for DOT brake systems or with DOT brake fluid. The DOT fluid and Mineral oils should never be mixed in the brake system or in their respective service tools. Using incompatible fluid may cause seal failure which may result in brake failure. For brakes using Mineral Oil use the Park Tool BKM-1.2 Hydraulic Brake Bleed Kit—Mineral.

The specific service parts and adapters for brake bleeding vary with each brand. Inspect the brake and the bleed port fittings to determine the correct adapter from the BKD-1.2. Measure the bleed port fitting thread diameter to match with the correct BKD-1.2 adapters. To match thread pitch, hold the two threads one on top of the other to see if threads properly mesh together. See Table 1 for details on the parts and adapters and their common uses.

When storing the hose assemblies, leave the closing clips open. Clean syringes, hose and fittings with alcohol regularly.

Although all hydraulic brake service shares the concept of injecting new fluid and bleeding out air and old fluid, there are many variations on the procedures to bleed particular makes and models. See the repair help area of parktool.com for detailed video instructions on bleeding brakes, or contact the brake manufacturer for their specific bleeding procedures.

For complete videos and instructions:

Für vollständige Videos und Anweisungen:

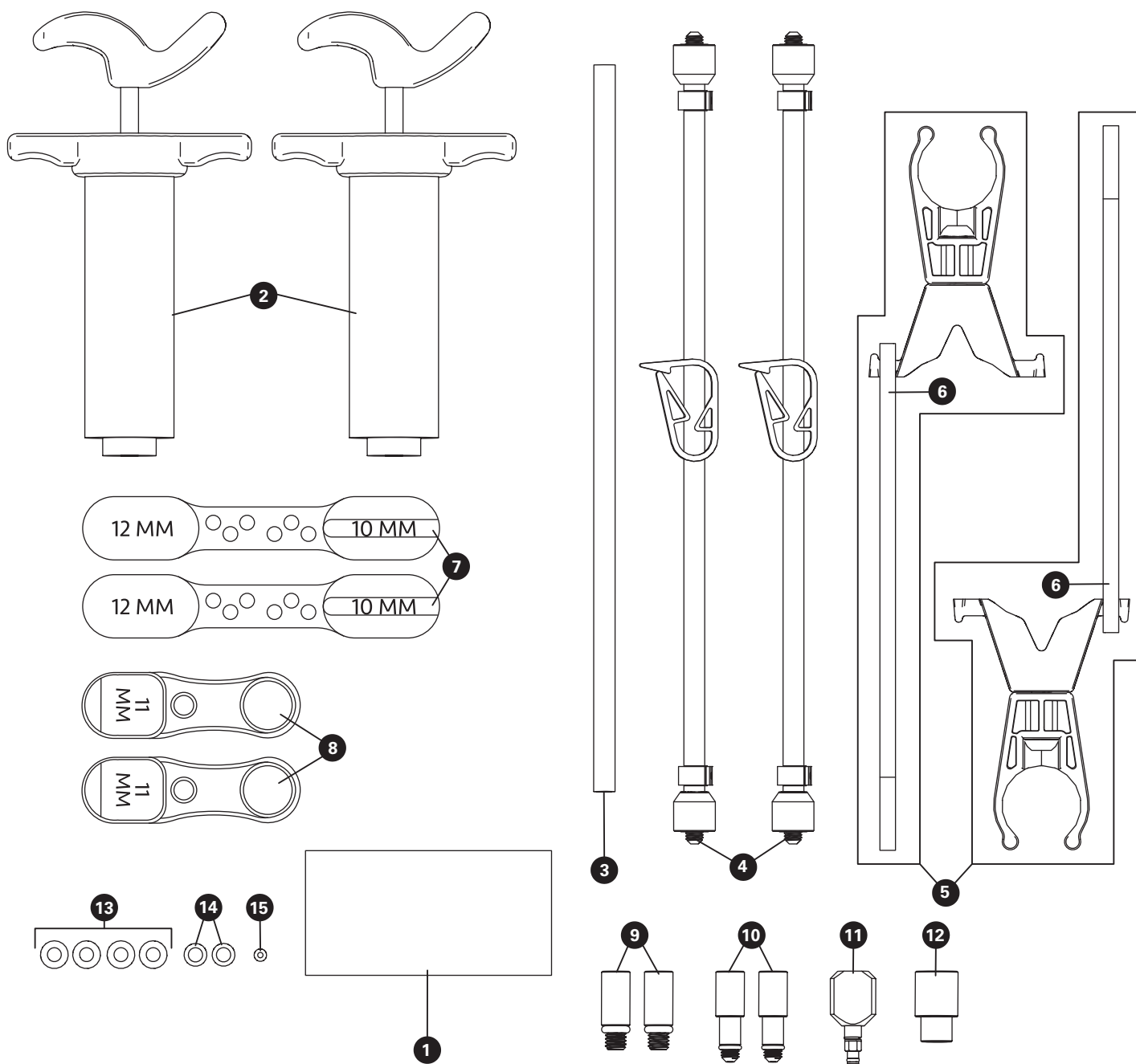
Pour des vidéos et des instructions complètes:

Para ver videos completos e instrucciones:

parktool.com/BKD-1.2

TABLE 1

Part #	Description	Notes
2578A	Syringe Holder Assembly with Strap	Syringe holder secures syringe to fork or rear stay during bleed
2581-2	Universal Bleed Block	Double sided block with 10 mm and 12 mm. Two blocks included for double piston calipers.
2584AD	Adapter with O-Ring—M6x1.0 (Black)	Adapter in M6x1.0
2588.2	Hose Compression Sleeve	Slides over open hose to help secure the hose to caliper bleed nipples
2595	Fluid Disposal Bag	Fluid disposal bag for calipers that bleed directly to disposal system
2596-3	Extra Hose Section	Section of extra hose for system bleeding into disposal bag
2611-6	O-Ring for DOT Fluid Adapters and Hoses	Extra O-ring for adapters and hoses
2612A	Adapter for SRAM® Bleeding Edge™ with O-Ring (Silver)	For SRAM® Bleeding Edge™ fitting
2614	O-Ring for 2612A DOT Fluid Adapter	Extra O-ring for adapter 2612A
2615-2	11 mm Bleed Block	Bleed Block for Hayes® Dominion brake models
2616-2	DOT Oil Syringes	DOT fluid syringes (quantity 2) with removable handles and plungers to allow cleaning. The syringe body uses internal M6x1.0mm thread to accept hose assemblies 2617.
2617A	DOT Oil Hose Assembly	Hose assemblies with closing clips and adapter in M5x0.8 external thread to accept other adapters in kit
2618A	Adapter with O-Ring—M5x0.8 (Red)	Adapter for SRAM®, Avid® and others
2619-2	O-Ring for 2618A DOT Fluid Adapter	Extra O-ring for adapter 2618A



BKD-1.2 PART NUMBERS

Ref. #	Part #	Description	Qty.
1	2620	Fitting Box	1
2	2616-2	DOT Fluid Syringe	2
3	2596-3	Extra Hose Section	1
4	2617.2A	DOT Fluid Hose Assembly	2
5	2578A	Syringe Holder Assembly with Strap	2
6	2577	Syringe Holder Strap	2
7	2581-2	10 mm / 12 mm Bleed Block	2
8	2615-2	11 mm Bleed Block for Hayes®	2
9	2584AD	Universal Adapter with O-Ring—M6x1.0 (Black)	2

Ref. #	Part #	Description	Qty.
10	2618A	Adapter for SRAM® with O-Ring—M5x0.8 (Red)	2
11	2612A	Adapter for SRAM® Bleeding Edge™ with O-Ring (Silver)	1
12	2588.2	Hose Compression Sleeve	1
13	2611-6	O-Ring for DOT Fluid Adapters and Hoses	4
14	2619-2	O-Ring for 2618A DOT Fluid Adapter	2
15	2614	O-Ring for 2612A DOT Fluid Adapter	1
—	2598K	Seal Rebuild Kit	—